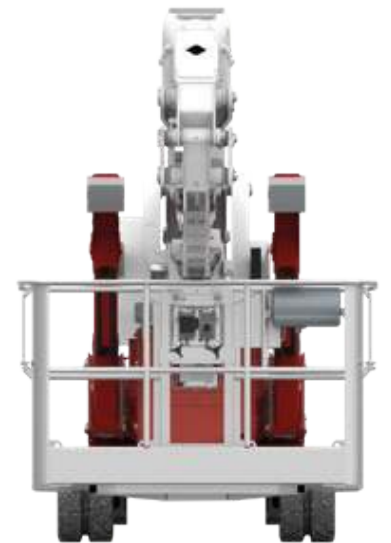


HOIST

VENDITA E NOLEGGIO DI SISTEMI AD ALTA QUOTA

TSJ 35.1

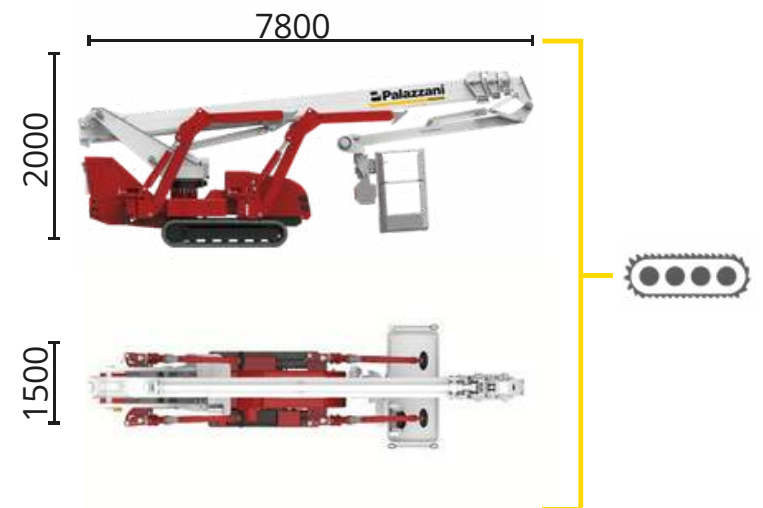
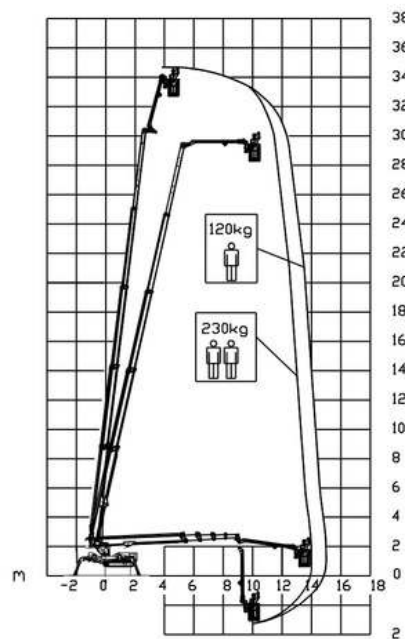
SPIDER LIFT



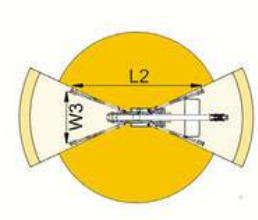
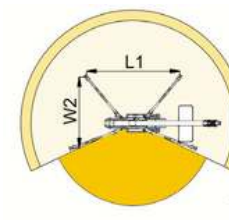
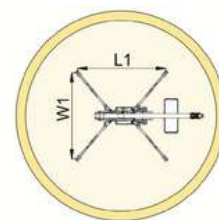
BI-ENERGY

Diesel
18,2 kW

Inverter actuated
Electric motor
230 VAC - 3 kW



14 m	15 m	8,5 m	L1	L2	W1	W2	W3
230 kg	120 kg	230/120 kg	535 mm	7160 mm	5260 mm	3975 mm	2680 mm



TSJ 35.1/C														
		35 m	15 m	230 kg	660°	180x70 cm	90°+80°	2,68-5,26 m	23%	36%	1,8 km/h	7100 kg	47 kN	2,44 kN/m2, 5,06 kN/m2

Available version:

BI-ENERGY (DIESEL+AC)

ECO (AC+BATTERY)

HYBRID (DIESEL+AC+BATTERY)

Characteristics and technical data are informative only and subjected to change without notice.



CE



HOIST
VENDITA E NOLEGGIO DI SISTEMI AD ALTA QUOTA

+39 335 8355930

081 18962737

piattaformeareehoist.it