

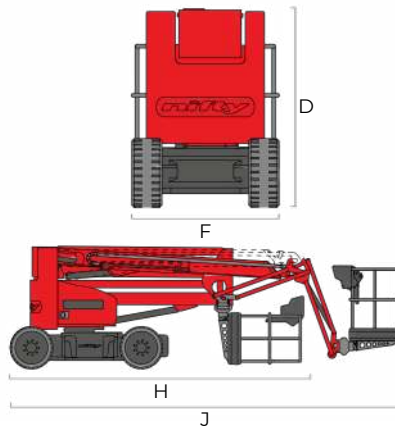
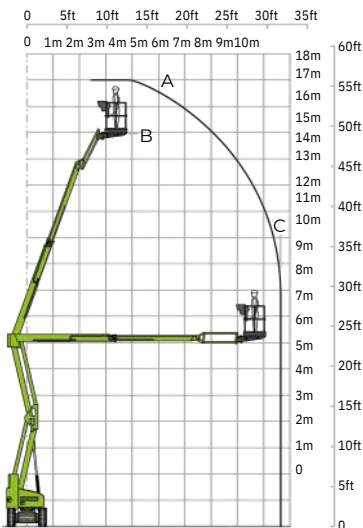
HOIST

VENDITA E NOLEGGIO DI SISTEMI AD ALTA QUOTA

HR17N



- (A) 17m / 56ft
- (B) 15m / 49ft 6in
- (C) 9.7m / 32ft
- 225kg / 500lbs
- 1.5m x 0.8m / 4ft 11in x 2ft 8in
- 150°
- 180°
- (D) 1.99m / 6ft 6in
- (F) 1.5m / 4ft 11in
- (H) 4.93m / 16ft 2in
- (J) 6.4m / 21ft
- 3.5km/h / 2.2mph
- 3.5m / 11ft 6in
- 25% / 14°



SiOPS® All-Electric
 toughcage Gen² Hybrid
 Niftylink®

7780kg*/7650kg
 17155lbs*/16870lbs



* Hybrid²



+39 335 8355930

081 18962737

piattaformeareehoist.it