

# HOIST

VENDITA E NOLEGGIO DI SISTEMI AD ALTA QUOTA

# C 300 H



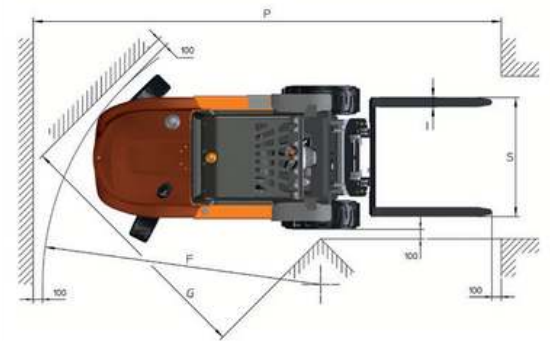
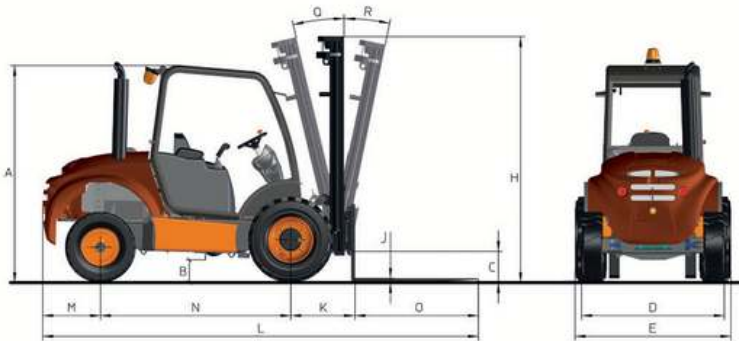
## TECHNICAL DATA

GENERAL		C 300 H M570	C 300 H x4 M571
Load capacity to 20"	lb	6,600	6,600
Load capacity to 24"	lb	6,100	6,100
Unladen weight *	lb	12,400	12,400
Transmission	-	Hydrostatic, with continuous speed control	Hydrostatic, with continuous speed control
<b>MAST</b>		3,300	3,300
Fork carriage	-	FEM 3	FEM 3
Carriage width	in	1,260/1,660	1,260/1,660
<b>ENGINE</b>			
Make	-	KUBOTA	KUBOTA
Model	-	V2403	V2403
Power	hp	48.9	48.9
Operating speed	r/min	2,600	2,600
Torque	Nm@rpm	158,6@1600	158,6@1600
No. cylinders	-	4	4
Emissions	-	Stage IIIA - Tier4i	Stage IIIA - Tier4i
Ambient noise	dB(A)	104	104
Consumption	gal/h	1.55	1.55
CO2	lb/h	33.7	33.7
<b>DRIVING</b>			
Max speed	mph	13.6	13.6
Gradability	%	30	30
Traction	-	4x2	4x4 FullGrip®
Front tyres	-	12.5/80-18	12.5/80-18
Rear tyres	-	27x10-12	10.0/75-15.3
<b>HYDRAULIC SYSTEM</b>			
Hydraulic circuit			
Working pressure	gal/min	18.5	18.5
<b>TANK CAPACITY</b>		2,500	2,500
Fuel			
Hydraulic	ga	21.1	21.
<b>BRAKES</b>		22.4	1
Service	ga		22.
Parking	l -	Hydraulic, multi-disc and sealed	Hydraulic, multi-disc and sealed
	-	Spring-loaded, multi-disc and sealed	Spring-loaded, multi-disc and sealed

\* It may change due to optional equipment

## DIMENSIONS

TYPE OF MAST	Maximum lift (ft)	H		Free lift (in)	Load at maximum height (lb)	
		Retracted mast height (in)	Extended mast height (in)		Narrow axle	All-terrain use Wide axle
Duplex mast	10.82	102.3	177.1	4.7	6,613	6,613
(Std.) Triplex mast	12.14	82.3	192.9	47.2	5,291	6,613
Triplex mast	17.71	104.7	259.8	66.1	-	3,307



DIMENSIONS (in)	C 300 H	C 300 H x4
A	85	86.6
B	10.6	11.2
C	12	11.6
D	57	60.9
E	59.8	59.8
E**	70	70
F	137.8	169.3
G	112.4	112.4
I	4.7	4.7
J	1.9	1.9
K	27.9	27.5
L	179.2	178.5
M	24.5	24.2
N	79.5	79.5
O	47.2	47.2
P	220.8	251.9
Q	0.5	0.5
R	0.4	0.4
S	49.6	49.6
S***	65.3	65.3

\*\* Measured with high-lift mast installed\*\*Measured for wide axle carriage



**+39 335 8355930**

**081 18962737**

[piattaformeareehoist.it](http://piattaformeareehoist.it)

Products are subject to modifications without prior notice. Images throughout the spec sheet may refer to non-standard machines or non-available configurations depending on models.

AUSA's logo and corporate identity are property of the Company, they cannot be used without authorization.